

KD Utility Cart

Model SC337, SC337S

Project _____

Item No. _____

Model No. _____

Quantity _____



Features & Benefits

- Sturdy, strong and durable, this cart is made of one-piece polyethylene construction.
- Versatile for a variety back of house or front of house applications.
- Total weight capacity is 600 lbs. (272 kg) or 200 lbs. (90,7 kg) per shelf.
- Three durable shelves feature raised ridges to protect surface against heat. Shelf surfaces are lightly textured, stain resistant and easy to clean.
- Raised marine rails around top shelf prevent items from slipping off.
- The vertical opening space between each shelf is 10³/₁₆" (25,82 cm) for convenient loading and unloading.
- Middle and bottom shelves have a 3/4" (2 cm) raised edge on one side to secure items from falling.
- Two ergonomic handles on each end of the cart are flush with the body to save space.
- Four heavy-duty, non-marking 6" (15 cm) plate casters, 4 swivel with brake (SC337S) or 2 rigid and 2 swivel with brake (SC337).
- Optional accessories include a removable 8 gallon (30,3 L) and 2 1/2 gallon (9,5 L) Quick Connect Bins that securely attach onto the molded-in dovetails below the handles.
- No assembly.
- Available in three colors, Black (110), Dark Brown (131), Charcoal Gray (615).



SC337



SC337

Shown with optional Quick Connect Bins on each end of the cart.



2.5 Gallon (9,5 L)
Small Quick Connect Bin



8 Gallon (30,3 L)
Large Quick Connect Bins

Approvals



KD Utility Cart

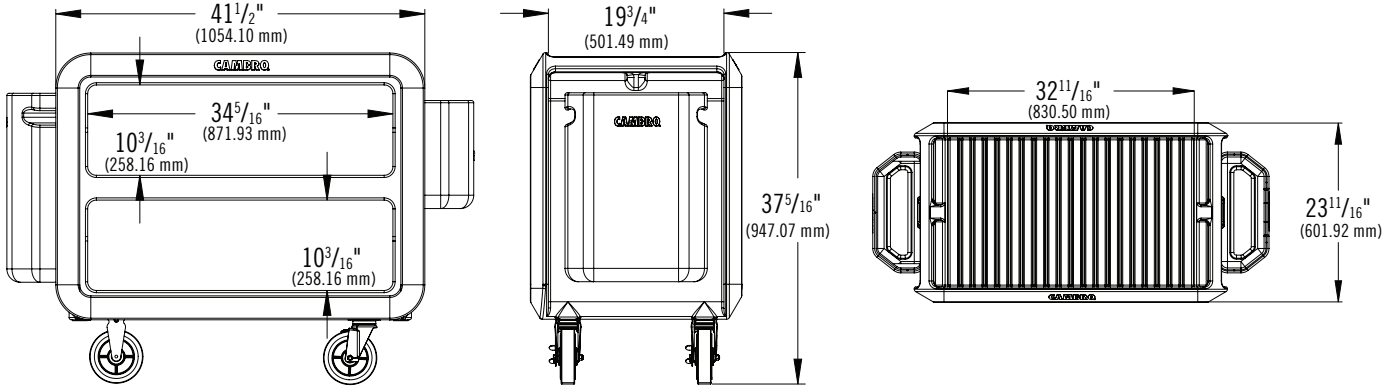
Model SC337, SC337S

Project _____

Item No. _____

Model No. _____

Quantity _____



Specifications

Dimension Tolerance: +/- 1/4" (0,64 cm)

CODE	DESCRIPTION	TOTAL WEIGHT CAPACITY	INTERIOR SHELF DIMENSIONS L X W X H*	EXTERIOR SHELF DIMENSIONS L X W X H (WITH BOTH HANDLES)	CASE LBS./CUBE KG/M ³
SC337	Standard Service Cart Casters: 2 Rigid, 2 swivel with brake	600 lbs. (272 kg)	40 1/3" x 21 11/16" x 10 3/16" (87,1 x 55,1 x 25,8 cm)	41 1/2" x 23 11/16" x 37 5/16" (105,4 x 60,3 x 94,3 cm)	39 (6.72) 17,7 (0,19)
SC337S	Standard Service Cart Casters: 4 swivel with brake	600 lbs. (272 kg)	40 1/3" x 21 11/16" x 10 3/16" (87,1 x 55,1 x 25,8 cm)	41 1/2" x 23 11/16" x 37 5/16" (105,4 x 60,3 x 94,3 cm)	39 (6.72) 17,7 (0,19)

*Height between shelves: 10 3/16" (25,8 cm)

Optional Accessories

2.5 Gal. (9,5 L) Small Quick Connect Bins QCSB

8 Gal. (30,3 L) Large Quick Connect Bins QCTB

Standard Service Cart Pro colors:

- Black (110)
- Dark Brown (131)
- Charcoal Gray (615)

Small and Large Quick Connect Bin colors:

- Black (110)

Architect Specs

The Service Cart Pro shall be Cambro model SC337 or SC337S. It shall be constructed of one-piece polyethylene with handles on each end of the cart. It shall be able to transport up to 600 lbs (272 kg). It shall have three shelves. Each shelf shall have raised ridges to prevent contents from sliding off. Top shelf shall have raised marine rails all around, middle and bottom shelves shall have raised edges on one side to prevent contents from falling. Space opening between the shelves shall be 10 3/16" (25,82 cm). It shall have four each 6" (15 cm) non-marking plate casters, 2 rigid and 2 swivel with brake (SC337) or 4 swivel with brake (SC337S). It shall have molded in dovetails to attach optional Quick Connect Bins (small 2 1/2 gallon/ 9,5 L) and large 8 gallon/30,3 L) both in black (110). The Service Cart Pro shall require no assembly and shall be available in black (110), brown (131) and Charcoal Gray (615).

Approvals

